

D160 Manual



File Name: D160 Manual.pdf

Size: 1680 KB

Type: PDF, ePub, eBook

Category: Book

Uploaded: 20 May 2019, 18:22 PM

Rating: 4.6/5 from 793 votes.

Status: AVAILABLE

Last checked: 1 Minutes ago!

In order to read or download D160 Manual ebook, you need to create a FREE account.

[**Download Now!**](#)

eBook includes PDF, ePub and Kindle version

[Register a free 1 month Trial Account.](#)

[Download as many books as you like \(Personal use\)](#)

[Cancel the membership at any time if not satisfied.](#)

[Join Over 80000 Happy Readers](#)

Book Descriptions:

We have made it easy for you to find a PDF Ebooks without any digging. And by having access to our ebooks online or by storing it on your computer, you have convenient answers with D160 Manual . To get started finding D160 Manual , you are right to find our website which has a comprehensive collection of manuals listed.

Our library is the biggest of these that have literally hundreds of thousands of different products represented.



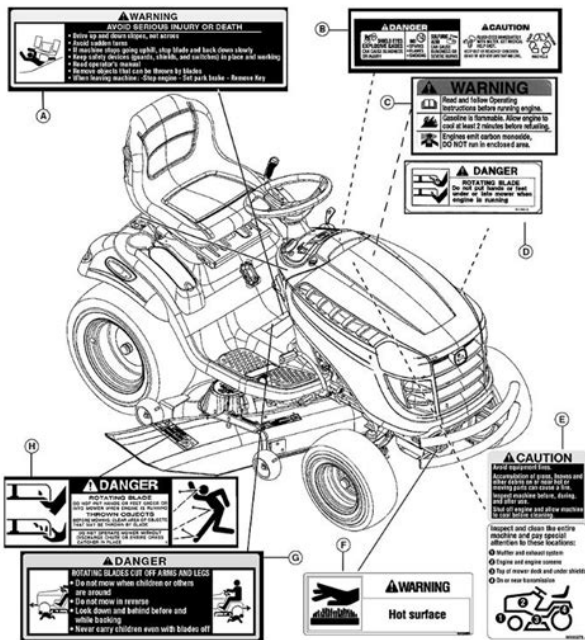
Book Descriptions:

D160 Manual



Most changes are minor corrections and do not affect operating procedures. Acrobat Reader is available free from the Adobe website whose link is on the left. Official Partner Close Wellness Special Close Close Where to buy Contact Official Partner Close Wellness Special Close Close Where to buy Contact Francesc Macia, 60, planta 20, 08208, Sabadell Barcelona and holder of TIN A17728593. Your data shall be processed for the sole purpose of sending you information about the product selected. Furthermore, provided you have given us your consent to do so by ticking the respective boxes provided for this purpose in your contact details, we may process your data for Sending you the newsletter, which at all times shall be customized and adapted to your interests. All messages may be adapted and customized depending on users interests, whether on the basis of products and services requested, or on the bases of the information we are able to infer or obtain from your browsing habits and your interest in certain contents and your reaction to our messages, amongst others. This customization is partially automated, in that FLUIDRA calculates the customization settings, but the technological platform generates the user profile. We do not send general messages unless they are segmented using the aforementioned procedure, as we consider that it is both in the best interests of FLUIDRA and the user to send or receive information that is relevant, and because not segmenting it would not alter the number of messages sent, but rather just their content. To this regard, any users who do not wish to be segmented should refrain from signing up for the newsletter. Your data shall not be assigned, sold, leased or in any other way whatsoever made available to third parties. http://www.belleantonio.it/foto_fck/browning-pump-shotgun-manual.xml

- **d160 manual, vdr-d160 manual, john deere d 160 manual, panasonic vdr-d160 manual, grundig d160 manual, avaya d160 manual, summa d160 manual, fostex d160 manual, scm d160 manual, deere d160 manual, ds 160 manual, d160 loader manual, d160 avaya phone manual.**



In certain cases, access shall be given to them to any of FLUIDRAs service providers that render certain services to FLUIDRA such as sending the newsletter, but under no circumstances shall they process them for their own ends. We shall keep your personal data for the maximum statutory term and for as long as FLUIDRA is obliged to do so, notwithstanding the fact that your data may be kept for the statutory term that may apply at any given time so that FLUIDRA is able to comply with the regulations in force. The processing of your data is legitimate because you have given your consent to do so. You may exercise your rights to access, rectification, erasure, restriction of processing, data portability and to object, or to withdraw the consent given in for sending you messages or for processing your personal data, by sending a letter to the data controller at Avda. You are hereby informed that you may exercise your right to submit complaints to the competent supervisory authority, namely, in the case of Spain, the Spanish Data Protection Agency at www.agpd.es. Butterfly valves or Ball valves in PVC. It must be indicated the typo of filter and diameter, with the required code of the valve manifold. Ask your question here. Provide a clear and comprehensive description of the issue and your question. The more detail you provide for your issue and question, the easier it will be for other John Deere D160 owners to properly answer your question. Ask a question This manual comes under the category Lawnmowers and has been rated by 5 people with an average of a 7.1. This manual is available in the following languages English. Do you have a question about the John Deere D160 or do you need help. Ask your question here John Deere D160 specifications Brand The ideal length is between 3 and 4.5cm. When the grass is wet, grass clumps can easily form and clog the mower. ManualSearcher.com ensures that you will find the manual you are looking for in no

time. <http://viaggi.abruzzo.it/img/browning-model-42-manual.xml>

⚠ WARNING

This service information is designed for experienced repair technicians only and is not designed for use by the general public. It does not contain warnings or cautions to advise non-technical individuals of potential dangers in attempting to service a product. Products powered by electricity should be serviced or repaired only by experienced professional technicians. Any attempt to service or repair the product or products dealt with in this service information by anyone else could result in serious injury or death.

IMPORTANT SAFETY NOTICE

There are special components used in the equipment which are important for safety. These parts are marked by A in the Schematic Diagrams, Circuit Board Diagrams, Exploded Views and Replacement Parts List. It is essential that these critical parts should be replaced with manufacturer's specified parts to prevent shock, fire or other hazards. Do not modify the original design without permission of manufacturer.

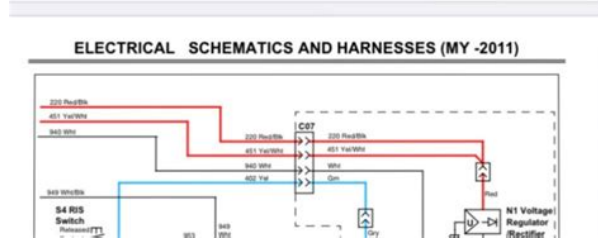
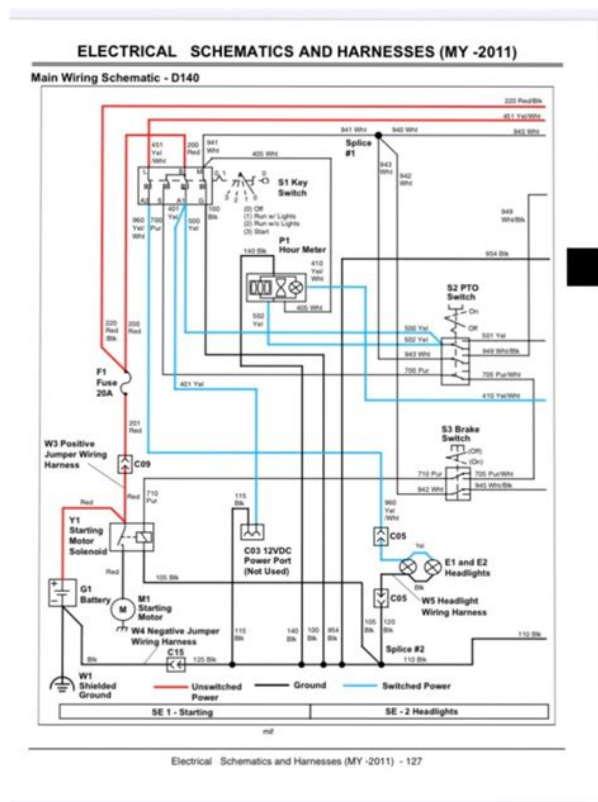
CONTENTS

	Page		Page
1 DIFFERENCES BETWEEN VDR-D160E and VDR-D150E	3	6.2 COMPARISON CHART	8
1.1. REPLACEMENT NOTES.....	3	7 DIFFERENCES BETWEEN VDR-D160GC and VDR-D150GC	9
1.2. COMPARISON CHART.....	3	7.1. REPLACEMENT NOTES.....	9
2 DIFFERENCES BETWEEN VDR-D160EB and VDR-D150EB	4	7.2. COMPARISON CHART.....	9
2.1. REPLACEMENT NOTES.....	4	8 DIFFERENCES BETWEEN VDR-D160GS and VDR-D150GS	10
2.2. COMPARISON CHART.....	4	8.1. REPLACEMENT NOTES.....	10
3 DIFFERENCES BETWEEN VDR-D160EE and VDR-D150EE	5	8.2. COMPARISON CHART.....	10
3.1. REPLACEMENT NOTES.....	5	9 DIFFERENCES BETWEEN VDR-D160GR and VDR-D150GR	11
3.2. COMPARISON CHART.....	5	9.1. REPLACEMENT NOTES.....	11
4 DIFFERENCES BETWEEN VDR-D160EF and VDR-D150EF	6	9.2. COMPARISON CHART.....	11
4.1. REPLACEMENT NOTES.....	6	10 DIFFERENCES BETWEEN VDR-D160GK and VDR-D150GK	12
4.2. COMPARISON CHART.....	6	10.1. REPLACEMENT NOTES.....	12
5 DIFFERENCES BETWEEN VDR-D160EG and VDR-D150EG	7	10.2. COMPARISON CHART.....	12
5.1. REPLACEMENT NOTES.....	7	11 Exploded Views	13
5.2. COMPARISON CHART.....	7	11.1. PACKING PARTS AND ACCESSORIES SECTION.....	13
6 DIFFERENCES BETWEEN VDR-D160EP and VDR-D150EP	8		
6.1. REPLACEMENT NOTES.....	8		

Our database contains more than 1 million PDF manuals from more than 10,000 brands. Every day we add the latest manuals so that you will always find the product you are looking for. Its very simple just type the brand name and the type of product in the search bar and you can instantly view the manual of your choice online for free. ManualSearcher. com If you continue to use this site we will assume that you are happy with it. Read more Ok. Make you sure you delete the Temporary Internet Files under the General Tab and Delete button so that you download new copies of files. Fostex continue to develop quality products for Professionals and Hifi enthusiasts. If you continue using this website, we will assume that you are happy about that. To set up a telephone conference from an external call 1. Press key. The external user is put on hold. 2. Enter the internal call number. Two outside calls Taking a second call while you are already on line During a call, a beep is emitted by your operator to info rm you that a second call is on hold. A screen displays the number of this second caller on hold. Press then the key to take back this new call. Your first contact is put on hold a nd you can talk with the se cond caller. Making a second call whil e you already on line During a conversation, press then dial the number to be called. The call in process is then put on hold and you can take the second call back. Switching from one call to the other To switch from one call to the other, press then the key. Ending one of the two call s To end one call and contin ue with the other, press then the key. The call in process i s then ended finally and you take the se cond call back. To set up a 3way conference th e 2 calls and yourself During a conversation, press then the key. You can then talk with the 2 contacts at the same time. To end the 3way confere nce, press the red key.

D160D160A D210D210A 1 I NTRODUCTION Dear customer, Thank you for purchasing a Sagemcom DECT telephone we appreciate your trust in us. This product was manufactured with the utmost care, should you encounter difficulties during its use we recommend that you refer to this user guide. You can also find informati on on the following site com For your c omfort an d safety, w e ask that you read the f ollow ing secti on carefully R ECOMMENDATIONS AND SAFETY INSTRUCTIO NS Your DECT telephone must not be installed in a humid room washup room, bathroom, laundry r oom, kitch en, etc. unless it is 1.50 m awa y from a wate r point or o utside. As a precaution, in case of danger, the mains adapters act as a disconnecting mechanism for the 230V power supply. They should be placed near the device a nd should be easily accessible. This telephone was designed for

use on the public switched telephone network PSTN. In case of a problem you must first contact your reseller. Only use the supplied telephone cord. For your personal safety, never place your handset on the base without the batteries, or without the battery cover, you could get an electric shock. To avoid damaging your handset, only use certified rechargeable AAA batteries NiMH 1.2 V 400 mA, never use non-rechargeable batteries. Insert the batteries in the handset battery compartment respecting polarity. At the end of their useful life, batteries must be disposed of according to the recycling instructions presented in this booklet. Your DECT telephone has an inside radio range of about 50 metres and up to 300 metres in open space. The immediate presence of metal parts, of a television for example, of any electric appliance may result in range reduction. Some sensitive medical equipment and safety equipment may be affected by the radio frequency transmissions of your telephone. In all cases, we ask that you respect the safety recommendations.

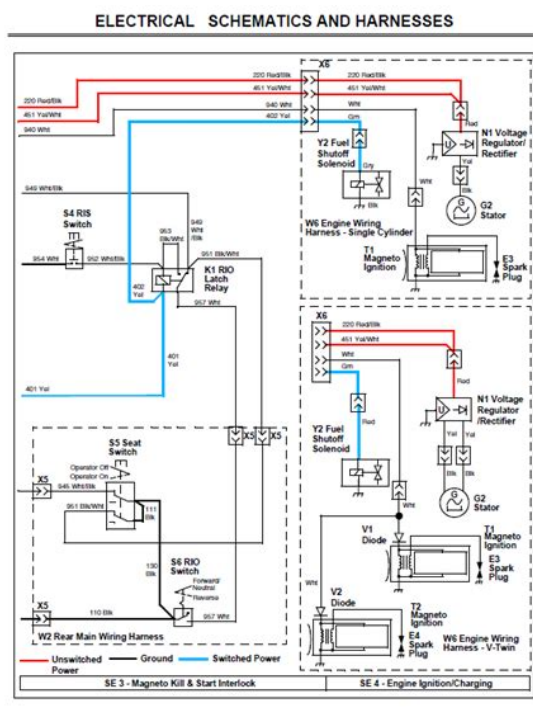


<http://www.familyreunionapp.com/family/events/bose-lifestyle-v35-instruction-manual>

In areas where storms are frequent, we recommend that you protect your telephone line using a surge protection device. Furthermore, it efficiently uses the frequency spectrum attributed to ground and spatial communication to prevent damaging interference. In the case of purchasing a pack duo or trio, you will find in addition for each additional handset a handset charger, one battery compartment cover, two rechargeable batteries. Quick guide to handset display icons Signal strength icon blinking when no signal or the signal strength is weak. Call blinks when you receive a call Answering machine icon appears when answering machine is activated Voicemail icon indicates that new messages are present in your voicemail box. Handset ringer muted. Received call list appears when

a new call is in the caller list. Phonebook icon appears when you enter to the phonebook list. D160D160A D210D210A 4 Changing the batteries Make sure the telephone is OFF before you replace batteries. 1. Remove the batteries compartment door. 2. Remove old batteries. 3. Insert the new batteries. 4. Put the batteries compartment door back on. 5. Place handset in the base to charge. MENU STRUCTURE Quick reference phonebook New entry Advanced set Change pin List registration Edit entry Unregister delete Country delete all reset Direct mem. Select the desired melody using the or key. 5. Press key to confirm your selection. Make a call Ensure that the handset is switched on. 1. Press the Talk key. Answering a call When the phone rings, press the key to answer the call. You can adjust the volume of what you hear through the handset at any time by pressing or key. Ending a call To end a call press. Microphone mute function Enable MUTE function press the key. Your correspondent can hear you again. Voice Mail According to operator With this function you can receive calls in your absence on a voice message recorder in the switched telephone network.

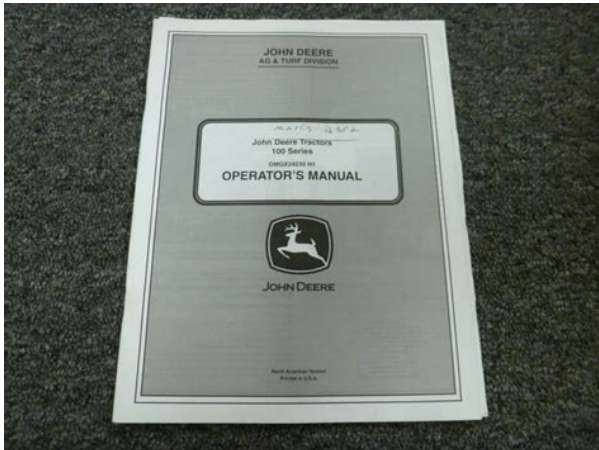
<https://oooifc.com/images/Dell-Color-Laser-3010Cn-Manual.pdf>



Your voicemail number is not set in the factory. 1. Dial the number of your operator's voice message recorder. 2. The envelope icon disappears when there are no more new messages. D160D160A D210D210A 6 C ALL LOG Calling Line Identification Presentation CLIP This CLIP phone stores and displays CLIP information provided by your local telephone company. You must subscribe to CLIP service in order to use this unit. If you have not subscribed to CLIP service or if the caller number is suppressed, the display shows "unknown". Display of numbers not available Unavailable you are not in same area as your contact. Hide if your contact does not want its number to be displayed. Received call log The received call log presents the calls you received. max.10 last calls. 1. Press, the icon is displayed. 2. The most recent name or call number is displayed according to whether your contacts number is included in your phonebook or not. 3. Press to display the date and the time of the call. 4. Press the or key to go through the list. If the number is too long more than 12 digits, the screen will not show the number in full. Press key to go to last number page for CID length. Dialed call log The dialed call log presents the calls you made max. 5 last calls. To consult the list

1. Press briefly. 2. The last dialled number is displayed. Press the or key to consult the list of the last 5 numbers dialled. Calling back a caller 1. Press the or key. 2. Press the or key to select a call record. 3. Press the key to dial the number. D160D160A D210D210A 7 4. A confirmation screen appears. 5. Using the telephone touch keys If you do not wish to delete the current record, press. To delete the current record, press. P HONEBOOK You can store 80 phonebook entries 24 digits and 12 characters in your phonebook. Dialling a memory number 1. Press key to consult the list of contacts. 2. Press the or key to consult directory entries. 3.

<http://www.isovca.com/images/Dell-Color-Laser-1320C-Manual.pdf>



When you have selected the desire number, press. D160D160A D210D210A 8 5. Press. 6. Enter the name of the entry and press to confirm. 7. Enter the number of the entry. Press to confirm. You will hear a confirmation tone. To call the number you have assigned to one of the shortcut keys. Hold down the key on which the number was programmed or . Inserting a pause in dialling You can insert a pause in dialling a phone number if you want to wait before actually ringing. While dialling the number you want to call, press and hold the key to insert the pause The display shows a " P ". USING THE MULTI HANDSET CAPABILITIES These functions are used for handset management when two or more handsets are registered on the same base. Managing an external and an internal call Transferring an external call to another handset registered on same base 1. During a call, press. The external user is put on hold. 2. Enter the internal call number. When the user answers, you can announce the call. 3. Press the key to transfer the call. To switch from one call to another, press and hold down the key until an aural signal is heard. If the called handset does not answer, press to take back the call. An information screen shows you the current state. Use or to modify it. 2. Press key to confirm your selection. Press key to confirm your selection. Use or to modify it. 2. Press key to confirm your selection. Key lock 1. Press and hold key for 1 second. An information screen shows you that the keys are locked. 2. To recover to normal, press and hold key 1 sec. A screen displays the current format, use. A screen displays the current format, use. You will hear a confirmation tone. D160D160A D210D210A 12 A DVANCED SETTINGS Base master PIN code Your base station code default setting 0000 is required to access certain security functions. Carefully note your base station code. You will need it to change certain settings. The handset automatically exits the registering mode. 5.

The handset number assigned automatically by the base appears on the screen. Press key to confirm. 3. Using the or key, select the country where you will use the telephone. Press. 4. A confirmation screen appears, press. You will hear a confirmation tone. We're committed to dealing with such abuse according to the laws in your country of residence. When you submit a report, we'll investigate it and take the appropriate action. We'll get back to you only if we require additional

details or have more information to share. Note that email addresses and full names are not considered private information. Please mention this; Therefore, avoid filling in personal details. The manual is 0,64 mb in size. If you have not received an email, then probably have entered the wrong email address or your mailbox is too full. In addition, it may be that your ISP may have a maximum size for emails to receive. Check your email Please enter your email address. Post your question here in this forum. We're committed to dealing with such abuse according to the laws in your country of residence. We'll get back to you only if we require additional details or have more information to share. Note that email addresses and full names are not considered private information. Please mention this; Therefore, avoid filling in personal details. Please enter your email address. In order to get the best possible experience our LG.COM website please follow below instructions. If you're using Internet Explorer 9 or earlier, you will need to use an alternate browser such as Firefox or Chrome or upgrade to a newer version of internet Explorer IE10 or greater. These cookies are performance, analytics and advertising cookies, please see our Privacy and Cookie policy for further information. If you agree to all of our cookies select "Accept all " or select "Cookie Settings" to see which cookies we use and choose which ones you would like to accept.

<http://www.champcaregivers.com/wp-content/plugins/formcraft/file-upload/server/content/files/1628a08ab8e316---Canon-hf-s10-manual-focus.pdf>

Advertising Cookies open disactive These cookies enable us to show you ads and other content that we think is most attuned to your interests and digital behavior. Wrapping the phone is a metallic frame that delivers a modern style thats sure to standout. Original KnockON is also available. Easy Home look is similar to feature phone look and it is easy to use with bigger front, icons and simple UI. Enjoy stunning clarity and truetolife colours that feel big even on a compact display. Quantities are limited. Check with your local retailers for final price and availability. Smartphones Featuring ultrafast processors, the latest apps, highresolution cameras, HD displays, sophisticated designs and the newest technology, smartphones make it easy to stay organised and entertained on the go. Android Boasting intuitive Android operating systems, these mobile phones give you lightningfast connections to the information you want. Plus, with access to thousands of apps, theyre perfect for anyone with an onthego lifestyle. Touchscreen Available with a wide range of features, our touchscreen cell phones give you the power to do more with just a tap. QWERTY Keyboard Along with many of the same great features available on our smartphones, QWERTY devices also feature slideout keyboards for those who prefer a more tactile experience. Browse our newest mobile phone accessories and upgrade your phone your way. UK 0344 847 5454 IE 01 686 9454 Commercial Support Exclusively for Air Conditioning and Heating UK 08448 471 402 option 4 Ireland 0919 274 459 If you want to connect to LG Corp., or other LG affiliates, please click UK 0344 847 5454 IE 01 686 9454 Commercial Support Exclusively for Air Conditioning and Heating UK 08448 471 402 option 4 Ireland 0919 274 459 If you want to connect to LG Corp., or other LG affiliates, please click These cookies are performance, analytics and advertising cookies, please see our Privacy and Cookie policy for further information.

If you agree to all of our cookies select "Accept all " or select "Cookie Settings" to see which cookies we use and choose which ones you would like to accept. Cookie Settings Accept All Advertising Cookies active open These cookies enable us to show you ads and other content that we think is most attuned to your interests and digital behavior. Analytics Cookies active open These cookies allow our website to keep improving functions through website traffic analysis and to suggest personalized content for you. Performance Cookies active open These cookies are used to provide you with convenient functions, such as product reviews and product video playback, during your web browsing, they also enable interaction with social media accounts. Device with 114 grams including the battery. X We use cookies to provide and improve our services. By using our site, you consent to cookies. See more details Privacy policy. OK. You can search for a manual using the

model description. The model description can be found on a white or silver data badge. For ovens, this badge is located on the bottom edge of the appliance or in the base of the pan storage drawer high level models. For other appliances, the data badge tends to be on the back or side. If you need help locating your product model, please contact us or give us a call on 0344 815 3746 Contact us or give us a call on 0344 815 3746. All manuals on ManualsCat.com can be viewed completely free of charge. By using the Select a language button, you can choose the language of the manual you want to view. This symbol CE is located on the rating plate. Use only the recommended accessories. The mains plug of the power supply cord To completely disconnect this apparatus Product Identification Marking is located on LSQT1179ENG.book 2 2007118 1020 The manufacturer shall in no event be liable for Recording of prerecorded tapes or discs or Even for the Japan and the U.S. To use these copyright Macrovision Company is required. It is Movie Camera.

Laboratories. Information on Disposal for Users of This symbol on the products For proper treatment, Disposing of this product correctly will help to Please contact your local authority for further Penalties may be applicable for incorrect For business users in the European Union. If you wish to discard electrical and Information on Disposal in other. Countries outside the European Union. This symbol is only valid in the European. If you wish to discard this product, please LSQT1179ENG.book 3 2007118 1020 Before using. Features. 6. Accessories. 8. Parts identification and handling. 9. Using the LCD monitor. 12. Using the viewfinder. 12. Discs and cards. 13. Discs that can be used on this unit. 13. Cards that you can use with this unit. 16. Disc and card handling. 17. Setup. Power supply. 18. Charging the battery. 18. Connecting to the AC outlet. 21. Selecting a mode. 26. How to use the joystick. 27. Switching the language. 31. Using the menu screen. 32. Setting date and time. 34. Adjusting LCD. Recording. Before recording. 37. Recording motion pictures. 38. Changing the recording mode Recording still pictures. 41. Various recording functions. 43. Recording yourself. 44. Soft skin mode. 45. Backlight compensation function. 48. Self timer recording. 49. Wind noise reduction function. 50. Cinema mode. 50. Night view function. 51. Image stabilizer function. 51. Manual recording functions. 52. Scene mode. 52. Manual focus adjustment. 54. White balance. 55. Playback. Motion picture playback. 58. Still picture playback. 61. Playing back still pictures Contents. LSQT1179ENG.book 4 2007118 1020 Editing scenes. 63. Deleting scenes. 63. Dividing a scene. 65. Combining scenes. 66. Using playlists. 67. What is a playlist. 67. Creating a new playlist. 68. Playing back a playlist. 69. Editing a playlist. 70. Editing still pictures. 76. Deleting still pictures. 76. Locking still pictures. 78. DPOF setting. 79. Disc and card management. Formatting discs and cards. 80. Formatting discs. 80. Formatting an SD card. 81.

Finalizing a disc. 82. Finalizing a disc. 82. Unfinalizing a DVDRW. 83. Protecting a disc. 84. Displaying disc information. 85. With other products. With a TV. 86. Playback on TV. 86. Playback on a DVD recorder. DVD player, computer etc.. 87. Copying recordings onto a. DVD recorder's hard disk. 88. With a VCR. 89. Dubbing images onto other With a printer PictBridge. 90. Others. Menus. 93. Menu list. 93. Setup menu. 95. Indications. 96. Indications. 96. Messages. 98. Functions that cannot be used Frequently asked questions. 101. Troubleshooting. 102. Cautions for use. 106. Explanation of terms. 111. Specifications. 113. Number of recordable pictures LSQT1179ENG.book 5 2007118 1020 Features Features No need to search for the recording start position. The new recording will not overwrite any previously recorded scene. Recorded scenes are displayed as thumbnails. You can easily search for the scenes you want to watch. LSQT1179ENG.book 6 2007118 1020 Features You can create an original video playlist by collecting your favourite scenes together and then If you have a DVD recorder with hard disk, you can dub scenes recorded on DVDRAM or DVDRW If you insert a DVDRW or a DVDR recorded on this unit that has not been finalized in Be sure to finalize the disc on this unit before inserting it in other devices. 1 82. LSQT1179ENG.book 7 2007118 1020 Accessories Check the accessories before using this unit. Battery pack AC adaptor VWAD11E Tripod VWCT45E. MC protector VWLMC30E. LSQT1179ENG.book 8 2007118 1020 Parts identification and handling Due to limitations in LCD production However, this is not a malfunction

and doesParts identification and handlingAdjust the belt length so it fits your hand. Adjust the belt length and the pad position.Due to limitations in LCD productionHowever, this is not a malfunction and doesParts identification and handlingThe lens cap and lens cap cord comes preattached to the grip belt.

Pass the end of the lens cap cord through the attached eyeThis is a hole for attaching the unit to the optional tripod.Insert an SD card before attaching this unit to the tripod. l 25. Fitting the lens capLSQT1179ENG.book 11 2007118 1020Parts identification and handlingPull the LCD monitor out in the direction ofPull out the viewfinder.Using the LCD monitorLSQT1179ENG.book 12 2007118 1020Discs and cardsDiscs that can be used on this unit. Disc type DVDRAMGeneral Ver. 2.0. Recording format DVD Video. RecordingDVD Video. RecordingDVDVideoDVDVideoCharacteristic Rewritable disc RewritableOne time. One timeDisplay on the screen. Indication in theseFunctionsLSQT1179ENG.book 13 2007118 1020Discs and cardsAlways remove bare discsUsually discs compatible with the DVDIf you use one ofPERFORMANCE PANASONIC DISC IS RECOMMENDED.” appears. Refer to the followingWhat is the DVD Video Recording formatThis is a format for recording on DVD discsVideo Recording format with this unit. What is the DVDVideo format VideoBy finalizing the disc, it can be played backYou can record on DVDRW and DVDR in. DVDVideo format with this unit.LSQT1179ENG.book 14 2007118 1020Discs and cardsDVDVideo format Video format and then format the disc. l 14, About format typesIf the disc is formatted, then all the data recorded onWhen using brandnew DVDRW. VIDEO DVDVideo format. VR DVD Video Recording format. LSQT1179ENG.book 15 2007118 1020Discs and cardsSD Memory Card Specifications and SDHC Memory Cards formatted in FAT32 system.If an SD card is formatted on other products such as aSD card. l 81Cards that you can use with this unit. Card type SD Memory Card SDHC Memory Card. Capacity 8 MB, 16 MB, 32 MB, 64 MB,You can only use. SDHC Memory cards on devices that are compatible with them. You cannot use SDHC MemoryMemory card on another device, be sure to read the operating instructions for that device.Discs and cardsDo not touch the recorded surface or the terminal surface.

Clean it with the supplied disc cleaning cloth. Wipe the disc from the centre to the outer edge toAlso, do not useDo not use ballpoint pens orDo not place objects on them.Disc and card handling. LSQT1179ENG.book 17 2007118 1020Power supplyPower supply. When this unit is purchased, the battery is not charged. Charge the battery before using this unit.AC outlet.AC adaptor socket. As shown in A, there is a gap.Lights up Charging. Goes off Charging completed. Flashing The battery is over discharged discharged excessively. In a while, the lamp will light upWhen the battery temperature is excessively high or low, the CHARGE lamp flashes andRemove the DC cableCharging the batteryPower supplyWhile sliding the BATTERY RELEASE lever, slide theFitting the battery. Removing the batteryReplace only with the same or equivalentDispose of used batteries according to theLSQT1179ENG.book 19 2007118 1020Power supplyThe times in parenthesesIn reality, it may be shorter than this.Charging time and recordable time. CGADU12 optional. Battery modelRecordingMaximumIntermittentSuppliedLSQT1179ENG.book 20 2007118 1020Power supplyIf the battery discharges, then willThis is not aThe unit is in the standby condition when the AC adaptor is connected. The primary circuit is alwaysDo not use the ACConnecting to the AC outlet. LSQT1179ENG.book 21 2007118 1020Power supplyIf the unit is turned on with the lens cap fitted, the automatic white balance adjustment may notWhile pressing the button A, set the. The status indicator B lights red.How to turn on the powerThis takes approximately 25 seconds with DVDRAM. If you want to start using the unit as soon as you turn on the power, do the following.You can start recording approximately 8 seconds after you turn on the power again.LSQT1179ENG.book 22 2007118 1020Fit the disc onto the spindle in the centre. B Pickup lensWhile pressing down on the spindle, grasp the edge of the disc and gently lift it out.LSQT1179ENG.

book 23 2007118 1020Double sided discThis may impair recording and playback.AC adaptor while

removing the disc or until power is off. If you do, the cover will not close. Do not repair discRAM, DVDRW or DVDR disc into the disc. Be sure not to touch the area. The opposite side is the disc. Do not disconnect. Also, do not strongly shake or cause impact to the unit. LSQT1179ENG.book 24 2007118 1020 We recommend saving important data on a computer. Selecting a mode. The mode dial is used to switch between recording and playback modes. Rotate the mode dial slowly but surely. Rotate the mode dial, and set the desired mode. Disc recording mode | 38 Use this to record motion pictures on a disc. Disc playback mode | 58 Use this to play back motion pictures on a disc. Card recording mode | 41 Use this to record still pictures on an SD card. Card playback mode | 61. Use this to play back still pictures on an SD card. LSQT1179ENG.book 26 2007118 1020 How to use the joystick. This unit has a joystick for selecting functions, performing operations, etc. Operations on the menu screen and selection of files on the thumbnail view screen, etc. Move the joystick up, down, left, or right to select an item or file, and then press the centre of the joystick, and icons will be displayed on the screen. Each press switches the operation. Basic operations. Joystick and screen display. Disc recording mode. A The operation icon is off. Icon Direction Function Page 57. Iris or gain value 57. A The operation icon is off. Icon Direction Function Page 57. O 2 Self timer 49. Card recording mode. A The operation icon is off. Icon Direction Function Page 57. O 2 Self timer 49. Shutter speed 57. Iris or gain value 57. How to use the joystick. A The operation icon is off. Icon Direction Function Page 61. D 1 Playback previous picture 61. D 1 Playback next picture 61. Card playback mode. Icon Direction Function Page 61. E 2 Playback previous picture during pause 61.

<https://labroclub.ru/blog/bose-lifestyle-v40-manual>